



E u r o p e

NEWSPAPER & MAGAZINE SHELVES

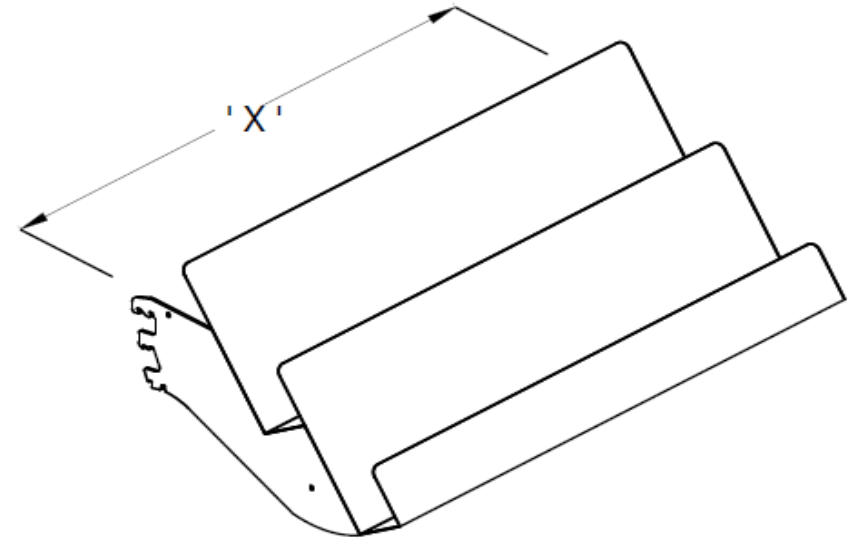
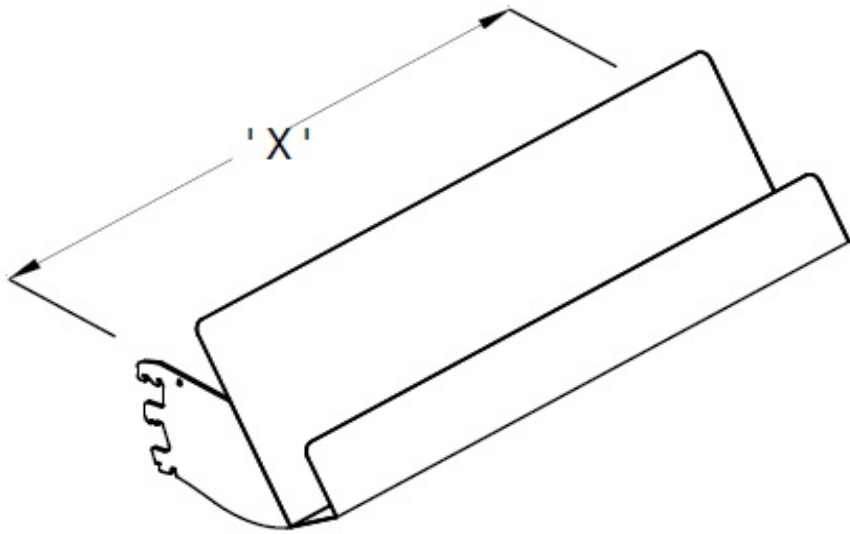
April 2012

look for
the brand
that helps stores work smarter



Newspaper & magazine shelves

1-Tier & 2-Tier

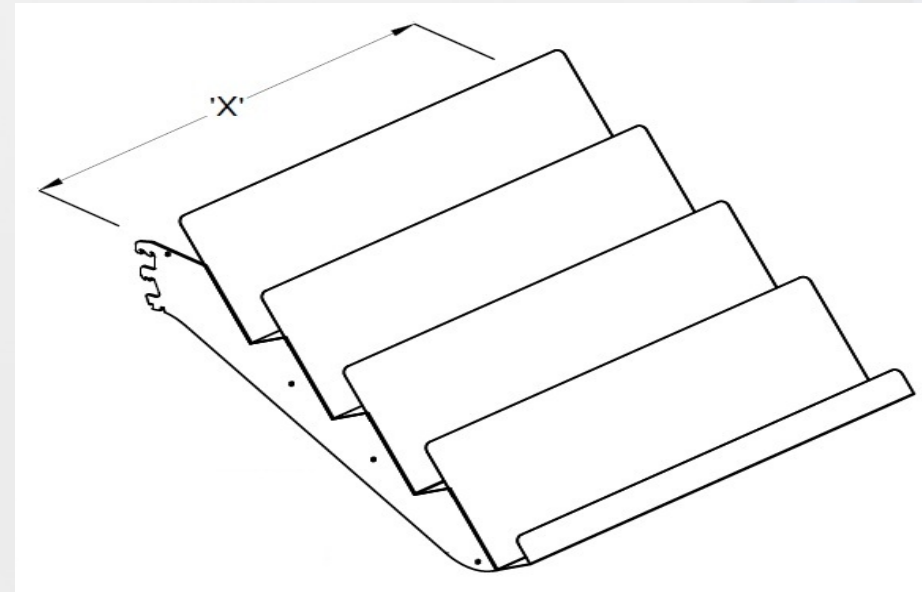
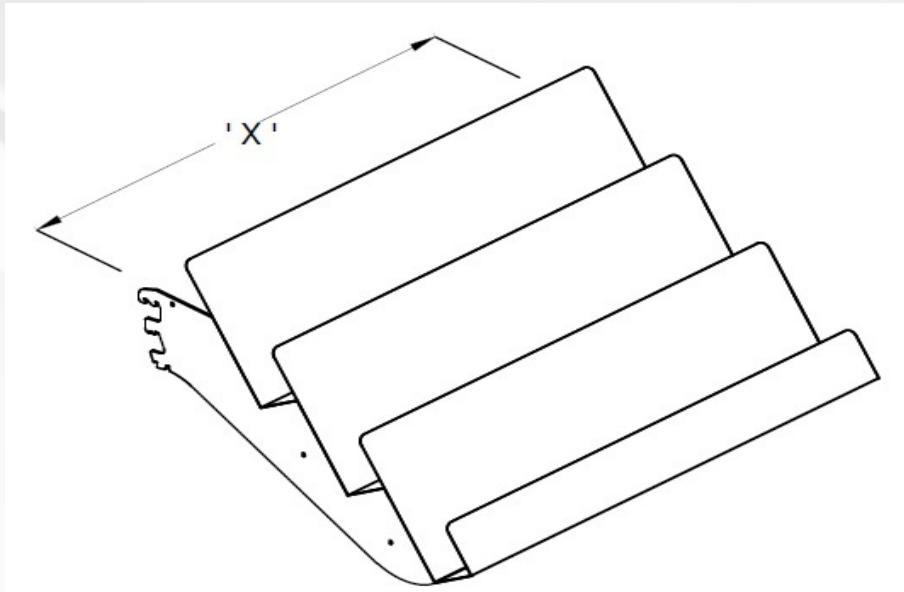


look for
the brand
that helps stores work smarter



Newspaper & magazine shelves

3-Tier & 4-Tier



look for the brand
that helps stores work smarter



Newspaper & magazine shelves



look for
the brand
that helps stores work smarter



Newspaper & magazine shelves



look for
the brand
that helps stores work smarter

